



## INDUSTRIAL DUTY

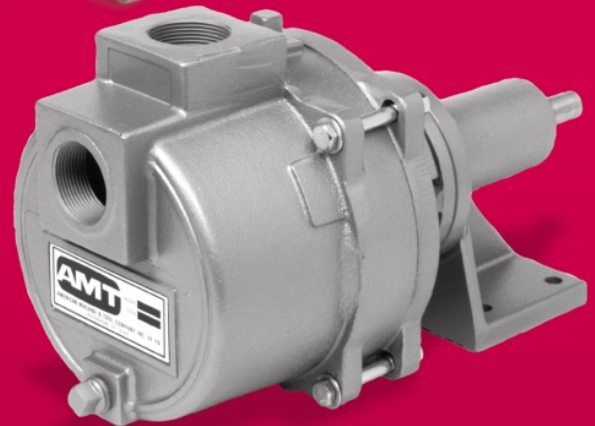
# Self-Priming Solids Handling Pedestal Pumps

- ▶ Available in **Cast Aluminum, Cast Iron or Thermoplastic** (See Specification Section for Specific Model Availability)
- ▶ **Buna or Viton® Mechanical Seal** (See Spec Sheet for Specific Model Options)
- ▶ **Optional Seals Available** (See Price Sheet for Specific Model Options)
- ▶ **2" to 4" NPT Suction and Discharge Ports**
- ▶ **Maximum Working Pressure up to 75 PSI**
- ▶ **Maximum Temperature 180° F**
- ▶ **Self-priming to 20 Ft.**
- ▶ **Shaft Diameter**

2" Models	3/4"
3" & 4" Models	1-1/8"
- ▶ **Sized From Minimum 3 HP to 15 HP Driver @ 3600 RPM Depending on Model**



**Model 3826-99  
Thermoplastic**

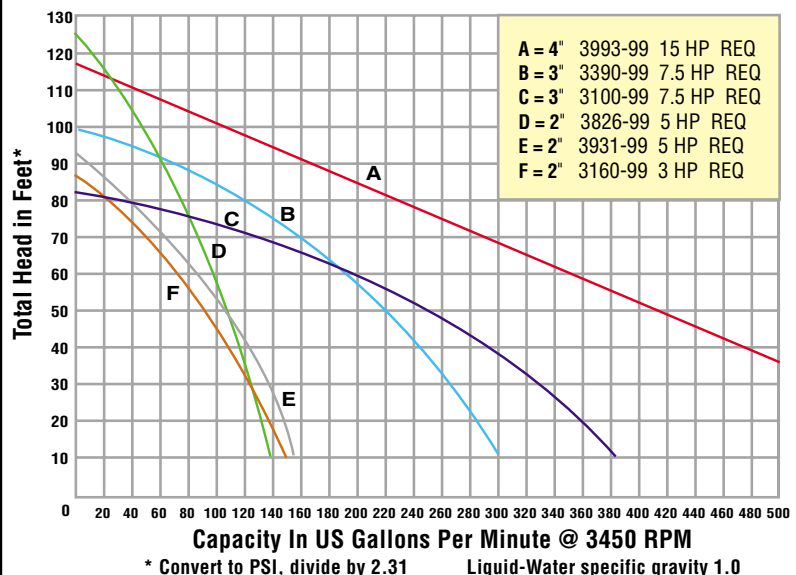


**Model 3160-99  
Cast Iron**

AMT Self-Priming Solids Handling Pedestal pumps are designed for direct or belt drive. Specific units are available in Cast Aluminum, Cast Iron or Thermoplastic construction material. The units feature 3/8" to 2" solids handling construction and are fitted with a Cast Iron bearing housing which contains two or three precision sealed ball bearings depending on specific model. Easy cleanout design by removing casing bolts permits removal of debris without disconnecting hoses. The 3" & 4" Trash pump models feature cleanout covers with quick release handles for removal of debris. All units are self-priming to 20 ft.

AMT Self-Priming Solids Handling Pedestal pumps are reliable, cost effective and low maintenance. For use with non-flammable liquids compatible with pump component materials.

### Performance of Solids Handling Pedestals



# Self-Priming Solids Handling Pedestal Pumps

## 2" Solids Handling



(3160-99 Shown)

### Models 3160-99 & 3931-99

- Cast Iron Construction
- Buna-N Flapper Valve and O-Rings
- 2" NPT Suction & Discharge Ports
- Maximum Working Pressure 75 PSI
- Maximum Temperature 180° F
- Self-priming to 20 ft.

- 3/8" Diameter Solids Handling Capability on 3160-99
- 1" Diameter Solids Handling Capability on 3931-99
- Heavy Duty Cast Iron Bearing Housing Containing (2) Precision Sealed Ball Bearings
- 3/4" Diameter CNC Machined Shaft
- 1-3/8" x 3/16" x 3/32" Keyway

## 2" Dewatering



### Model 3826-99

- Thermoplastic Construction
- Buna-N Flapper Valve and O-Rings
- 2" NPT Suction & Discharge Ports
- Maximum Working Pressure 45 PSI
- Maximum Temperature 130° F
- Self-priming to 20 ft.

- 2" Dewatering Construction
- 1/4" Diameter Solids Handling Capability
- Heavy Duty Cast Iron Bearing Housing Containing (2) Precision Sealed Ball Bearings
- 3/4" Diameter CNC Machined Shaft
- 1-3/8" x 3/16" x 3/32" Keyway
- 1/4" Diameter Solids Handling Capability

## 3" and 4" Solids Handling

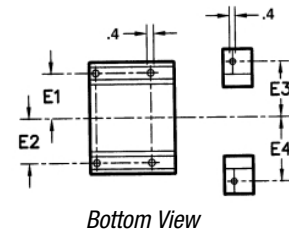
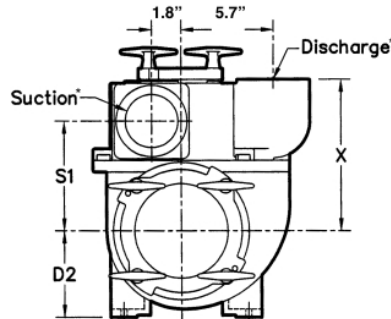
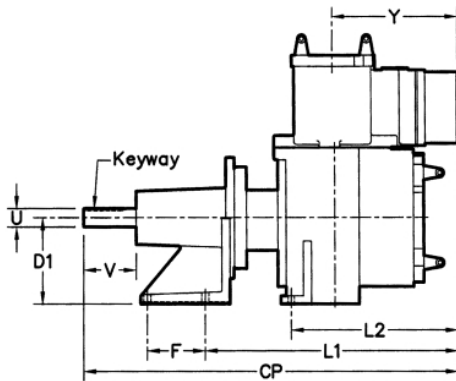


(3100-99 Shown)

### Model 3100-99, 3390-99 and 3993-99

- Cast Aluminum Construction with Cast Iron Wear Parts
- Buna-N Flapper Valve and O-Rings
- Maximum Working Pressure 75 PSI
- Maximum Temperature 180° F

- Self-priming to 20 ft.
- Solids Handling Capability: 3/4" 3390-99; 1.5" 3100-99; 2" 3993-99
- Heavy Duty Cast Iron Bearing Housing Containing (3) Precision Sealed Ball Bearings
- 2-1/4" x 1/4" x 1/8" keyway



Model 3100-99 shown for Dimensional location only

Model No.	CURVE	SUC*	DIS*	CP	D1	D2	E1	E2	E3	E4	F	L1	L2	S1	U	V	X	Y	Keyway	SEAL	HP Required @3600 RPM	Ship Wt.
3993-99	A	4"	4"	23.3	5.3	6.1	2.9	2.9	3.6	3.6	3.6	15.5	7.7	3.5	1-1/8"	3.2	4.1	6.6	1/4" x 1-1/4"	VITON®	15	133 lbs.
3390-99	B	3"	3"	19.9	5.3	5.3	2.9	2.9	3.8	2.6	3.5	12.5	4.1	4.0	1-1/8"	3.2	6.7	4.7	1/4" x 1-1/4"	BUNA	7-1/2	54 lbs.
3100-99	C	3"	3"	23.1	5.2	5.2	2.9	2.9	3.5	4.1	3.5	15.6	10.3	6.7	1-1/8"	3.2	9.2	7.7	1/4" x 1-1/4"	VITON®	7-1/2	91 lbs.
3826-99	D	2"	2"	15.0	4.2	4.2	1.9	1.9	3.6	3.6	2.5	9.7	5.3	1.0	3/4"	2.1	5.8	2.8	3/16" x 1-3/8"	BUNA	5	20 lbs.
3931-99	E	2"	2"	15.9	4.2	5.2	1.9	1.9	-	-	2.5	10.6	10.6	2.1	3/4"	1.1	4.7	2.8	3/16" x 1-7/8"	VITON®	5	59 lbs.
3160-99	F	2"	2"	15.1	4.2	4.2	1.9	1.9	2.6	3.8	2.5	9.8	4.9	2.1	3/4"	2.1	4.7	3.1	3/16" x 1-3/8"	BUNA	3	41 lbs.

(\*) Standard NPT (female) pipe thread.  
NOTE: Dimensions have a tolerance of ± 1/8".



See price book page 12

The Gorman-Rupp Company reserves the right to discontinue any model or change specifications at any time without incurring any obligation.

CP33-34/1006